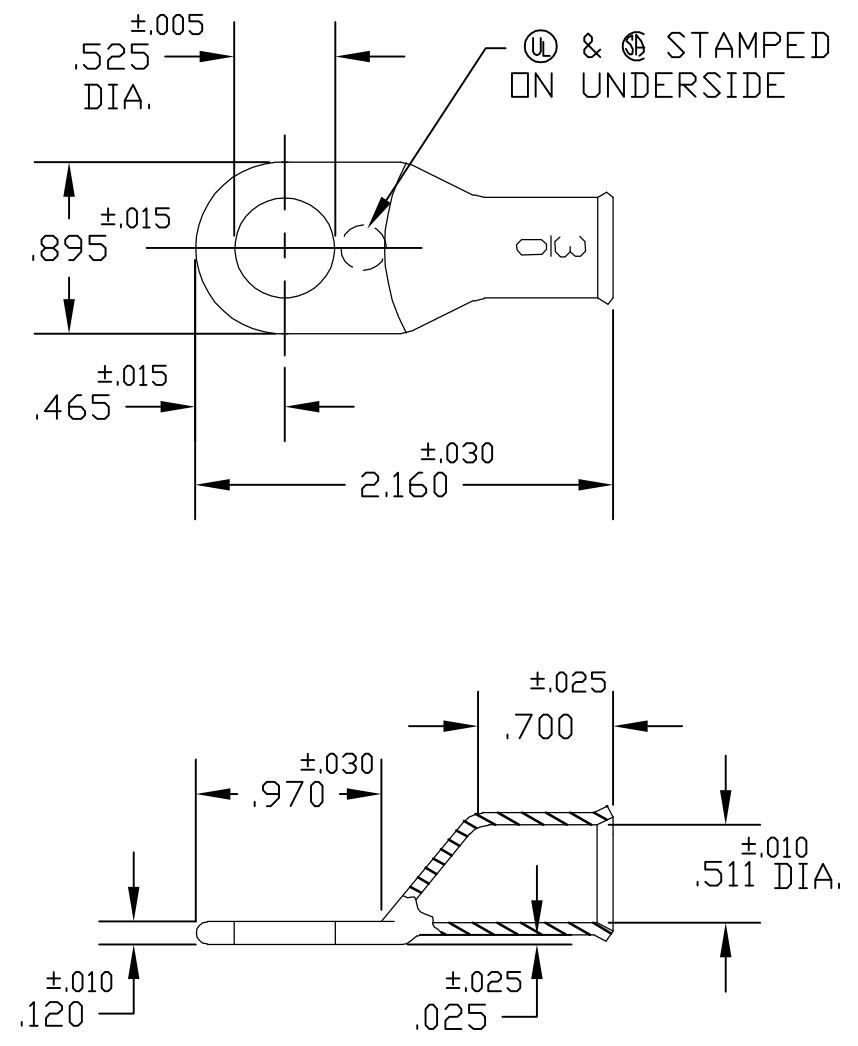


THIS DRAWING IS UNPUBLISHED. RELEASED FOR PUBLICATION
 © COPYRIGHT - BY TYCO ELECTRONICS CORPORATION. ALL RIGHTS RESERVED.

LOC	DIST	REVISIONS					
		P	LTR	DESCRIPTION	DATE	DWN	APVD
G	50		B1	REVISED PER ECR-06-011725	19MAY06	HMR	JR



ACTIVE	30501-01-D	SMALL PACK	TIN PLATE	8-1526819-2
ACTIVE	30501-01	STANDARD	TIN PLATE	1526819-2
ACTIVE	30501-00	STANDARD	PLAIN	1526819-1
STATUS	AET P/N	PACKAGING	FINISH	PART NUMBER

THIS DRAWING IS A CONTROLLED DOCUMENT.		DWN D.A.A 11/2/00	Tyco Electronics Corporation Harrisburg, PA 17105-3608		
DIMENSIONS: INCHES		CHK H.D.F 11/2/00			
		APVD H.D.F 11/2/00	3/0 STANDARD TERMINAL		
TOLERANCES UNLESS OTHERWISE SPECIFIED:		PRODUCT SPEC	SIZE		
0 PLC	± -	—	CAGE CODE	DRAWING NO	RESTRICTED TO
1 PLC	± -	—	—	—	—
2 PLC	± -	—	A3 00779 C-1526819		
3 PLC	± -	—	SCALE 1:1 SHEET 1 OF 1 REV B1		
4 PLC	± -	—	CUSTOMER DRAWING		
ANGLES	± -	—	—		
MATERIAL	FINISH	WEIGHT	—		
COPPER ASTM B-152	—	—	—		